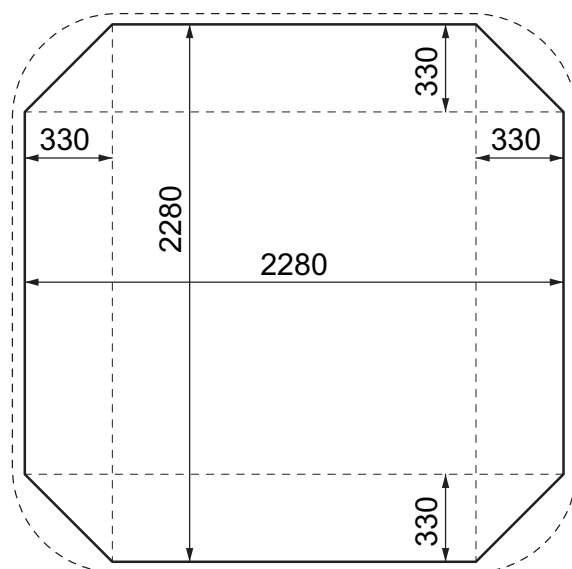
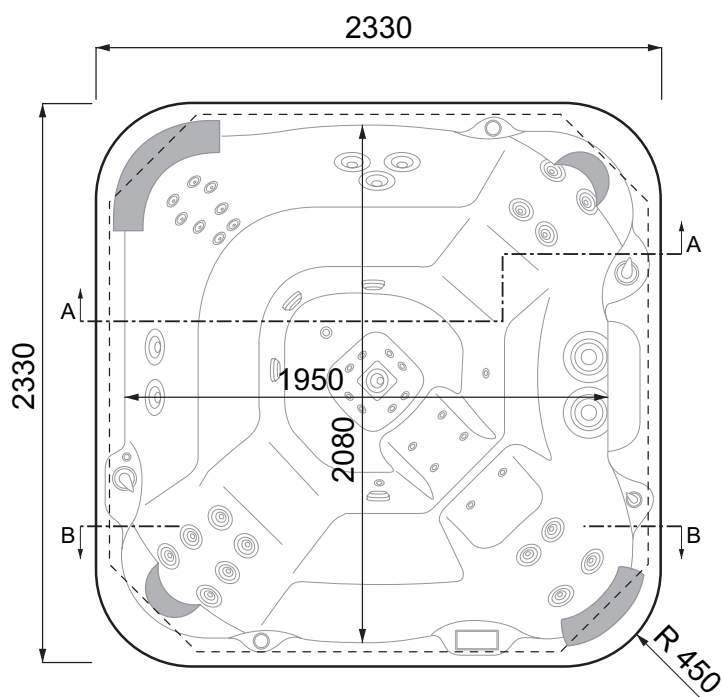
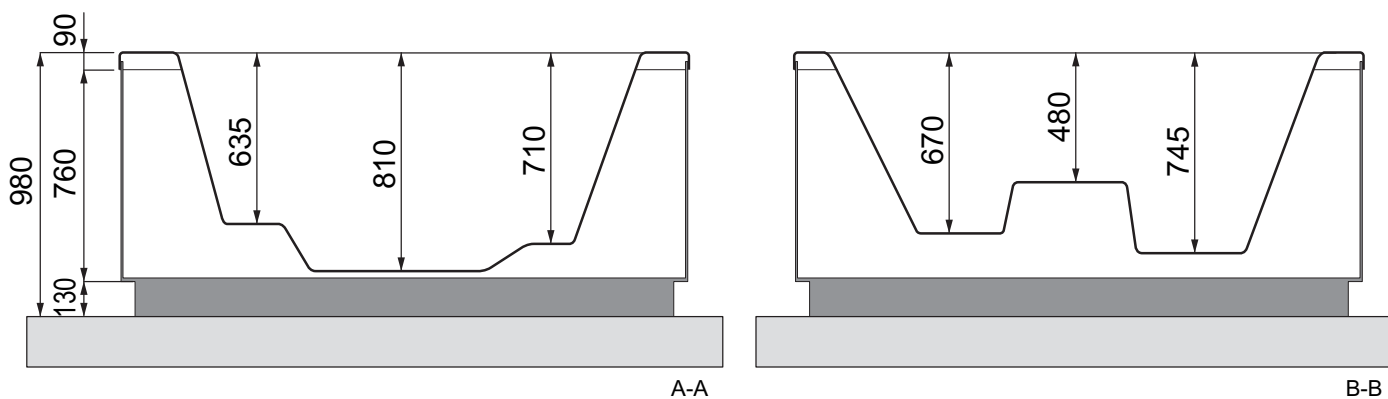


PANELLED MINIPOOL



SERVICE SIDE

Measurements in mm.

PREPARING THE PLINTH

Make certain the supporting surface is perfectly level.

If the minipool is installed in the open (e.g. on a lawn), prepare the plinth or slab with a suitably solid foundation that will ensure the requisite stability.

ROOM VENTILATION

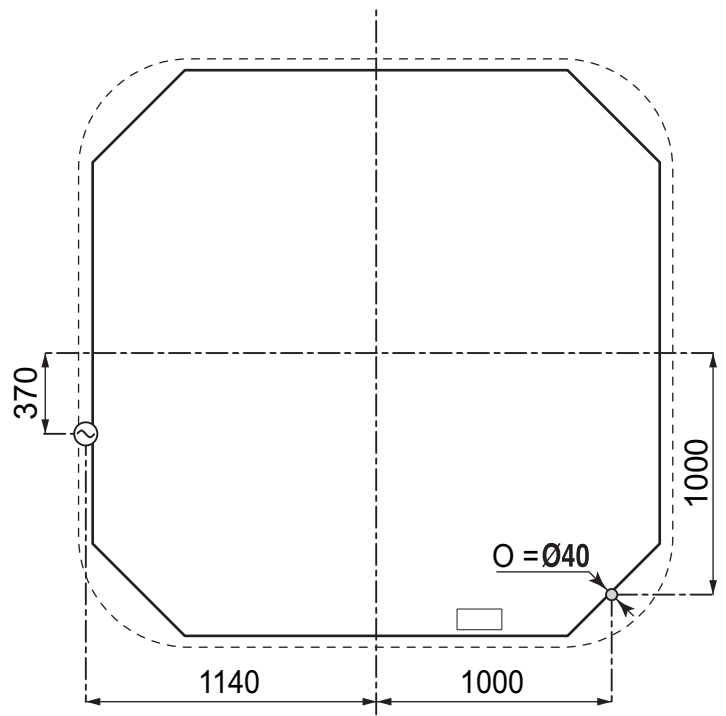
If the minipool is installed indoors, the room or enclosure must be properly ventilated.

ART. 613				
Net Weight Kg.	Water Capacity litres.	Floor load capacity Kg/m ²	Shipping Weight Kg.	Shipping Volume m ³
410	2100	615	495	7,65

ELECTRICAL SPECIFICATIONS				
Model	V	Hz	Power consumption recirculation only Kw	Max power consumption version with heater Kw
7WSN39	400	50	0,16	7,4
4WSN38	230			3,65

PERMANENT CONNECTION OPTIONS

ART. 613



- O - \varnothing 40 mm drain outlet connection
(for fixed installation only - optional)
- ~ - Cable outlet for connection to a.c. supply

PLUMBING CONNECTIONS

EMPTYING: The Teuco minipool has a foot valve with \varnothing 40 mm connection. The tub can be emptied simply by connecting a hose to the valve, or alternatively, by making a permanent connection to the main drain (O). In this instance it will be advisable to install a trap with valve, which will serve as the foot valve.

IMPORTANT: before making any permanent connection to the main drain, contact the local authorities to check on regulations governing the disposal of chemically treated water.

FILLING: The recommended method of filling the Teuco minipool is to use a hose, taking care not to immerse the end as this could allow reflux of water back into the main.

IMPORTANT: if the intention is to connect the minipool permanently to the water supply, suitable non-return devices must be incorporated to prevent reflux back to the water main.

Contact the local authorities before proceeding with this type of installation.

This product is intended for home use.

In the event of a Teuco minipool being commissioned for public use, procurement managers must ensure compliance with all statutory regulations governing safety, water treatment and utility systems normally in force in the country of installation.

ELECTRICAL CONNECTIONS

The electrical power supply must be in compliance with statutory regulations for the country of installation.

The appliance must be connected to the power supply by way of an isolating switch with minimum contact separation of 3 mm, sited away from areas 0, 1 and 2 (IEC 364-7-701).

Make certain the appliance is connected to the power source by way of a residual current device with minimum threshold ≤ 30 mA.

The connection must include a connection to the earth system and must be:

- permanent
- able to handle the rated current (see data plate)
- specified to liquids ingress protection category IPX5

